

# ST10 (A555)

This parts catalog includes MB No. 1 to 5

## ST10 (A555)

### PARTS CATALOG

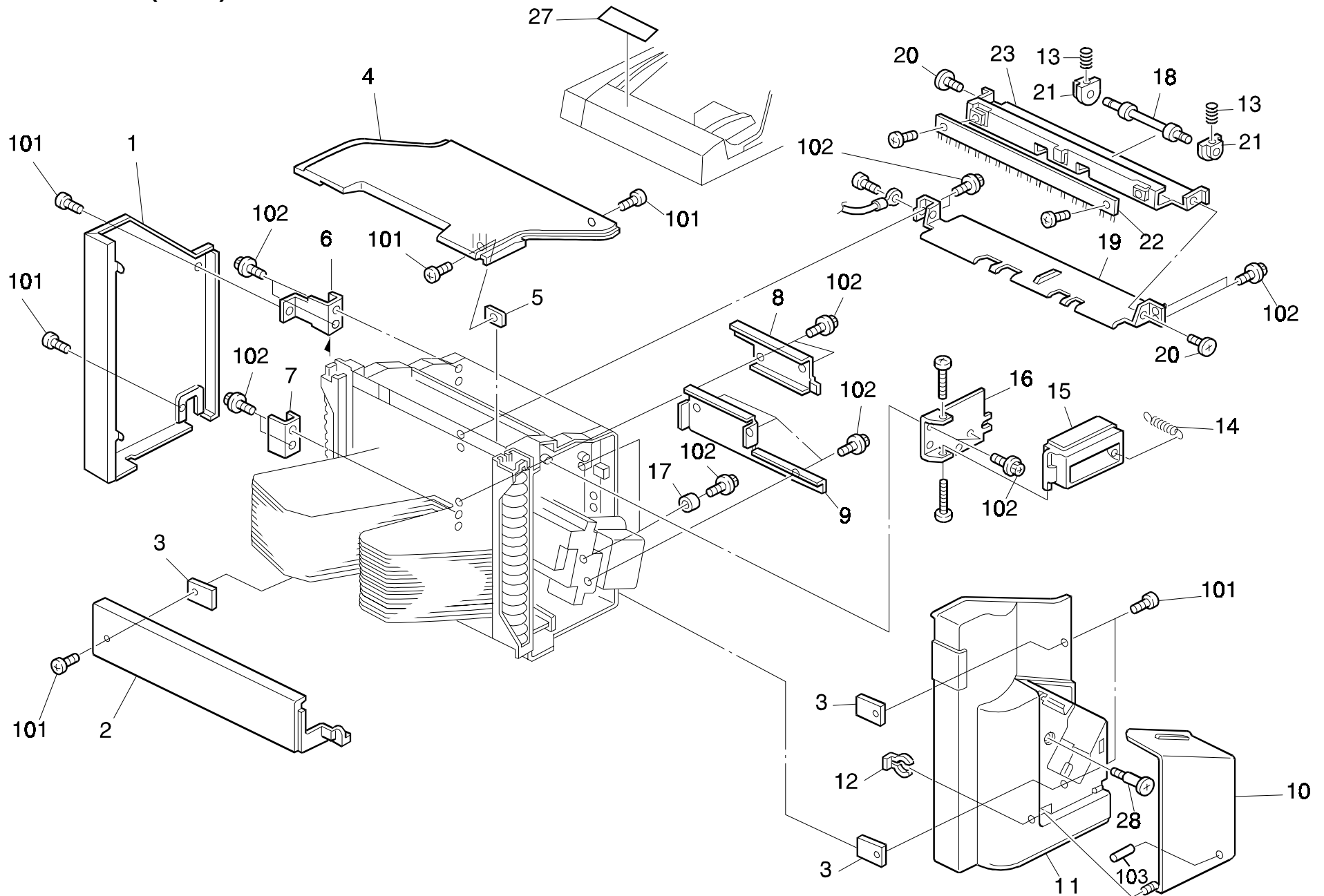
This catalog gives the numbers and names of parts on this machine.

### CONTENTS

1.EXTERIOR (A555).....	2
2.STAPLE UNIT (A555).....	4
3.TRAY DRIVE SECTION (A555) .....	6
4.COPY TRAY SECTION (A555).....	8
5.ELECTRICAL SECTION (A555).....	10
6.JYoint UNIT (A555).....	12
7.DECAL AND DOCUMENT (A555) .....	14
<b>PARTS INDEX.....</b>	<b>17</b>

September ,10 ' 2000

# 1.EXTERIOR (A555)

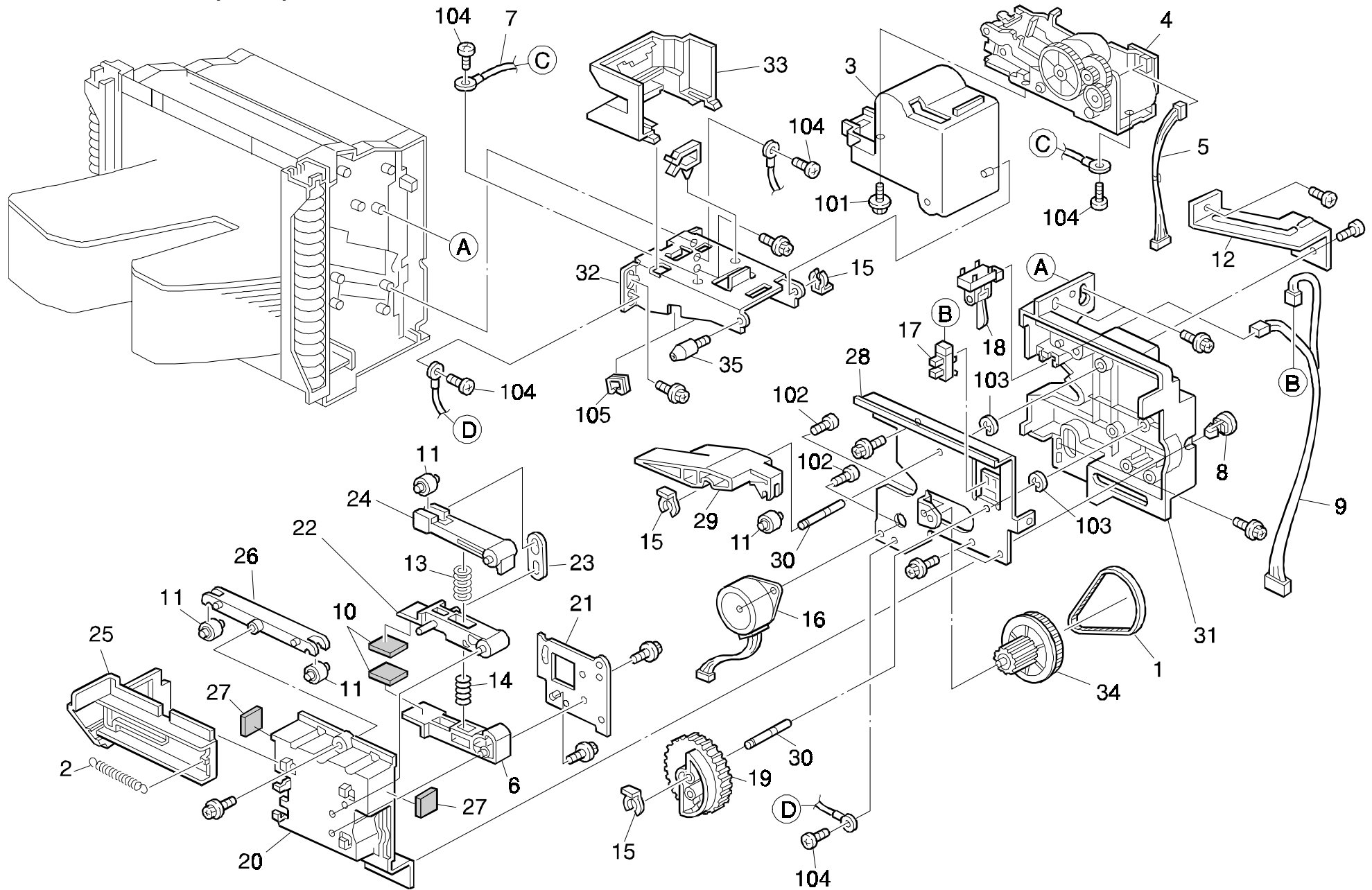


## 1.EXTERIOR (A555)

Index No.	Part No.	Description	Q'ty Per Assembly
1	A555 1581	Rear Cover	1
2	A555 1571	Lower Cover	1
3	A555 1590	Plate Nut - M4	3
4	A555 1541	Top Cover	1
5	A555 4156	Plate Nut - M4	2
6	A555 1132	Connecting - Upper Rear	1
7	A555 1131	Connecting Bracket - Lower Raer	1
8	A555 1152	Upper Harness Cover	1
9	A555 1151	Lower Harness Cover	1
10	A555 1531	Stapler Cover	1
11	A555 1511	Front Cover	1
12	5447 2681	Snap Ring	4
13	AA06 3525	Spring - 150gf	2
14	AA06 0601	Release Spring	1
15	A555 1561	Release Handle	1
16	A555 1569	Release Handle Bracket	1
17	A393 4517	Cushion - Sorter	2
18	AF02 2080	Driven Roller	1
19	A555 2110	Lower Entrance Guide	1
20	A499 1378	Stepped Screw - M4x6	2
21	AA08 0034	Bushing - 4x5x7	2
22	A555 2161	Anti Static Brush	1
23	A555 2121	Paper Exit Guide	1
24	A555 1830	Decal - Staple Replace	1
25	A555 1840	Decal - Stapler Misfeed Removal	1
26	A555 1820	Decal - Misfeed Removal	1
27	A555 1850	Decal - Staple Position	1
28	AA14 3020	Stepped Screw - M4	1

Index No.	Part No.	Description	Q'ty Per Assembly
101	0344 0080F	Philips Truss Head Screw - M4x8	
102	0344 0060F	Philips Truss Head Screw - M4x6	
103	0633 0320G	Pin - 3x32 MB2 (ADDED)	

## 2.STAPLE UNIT (A555)

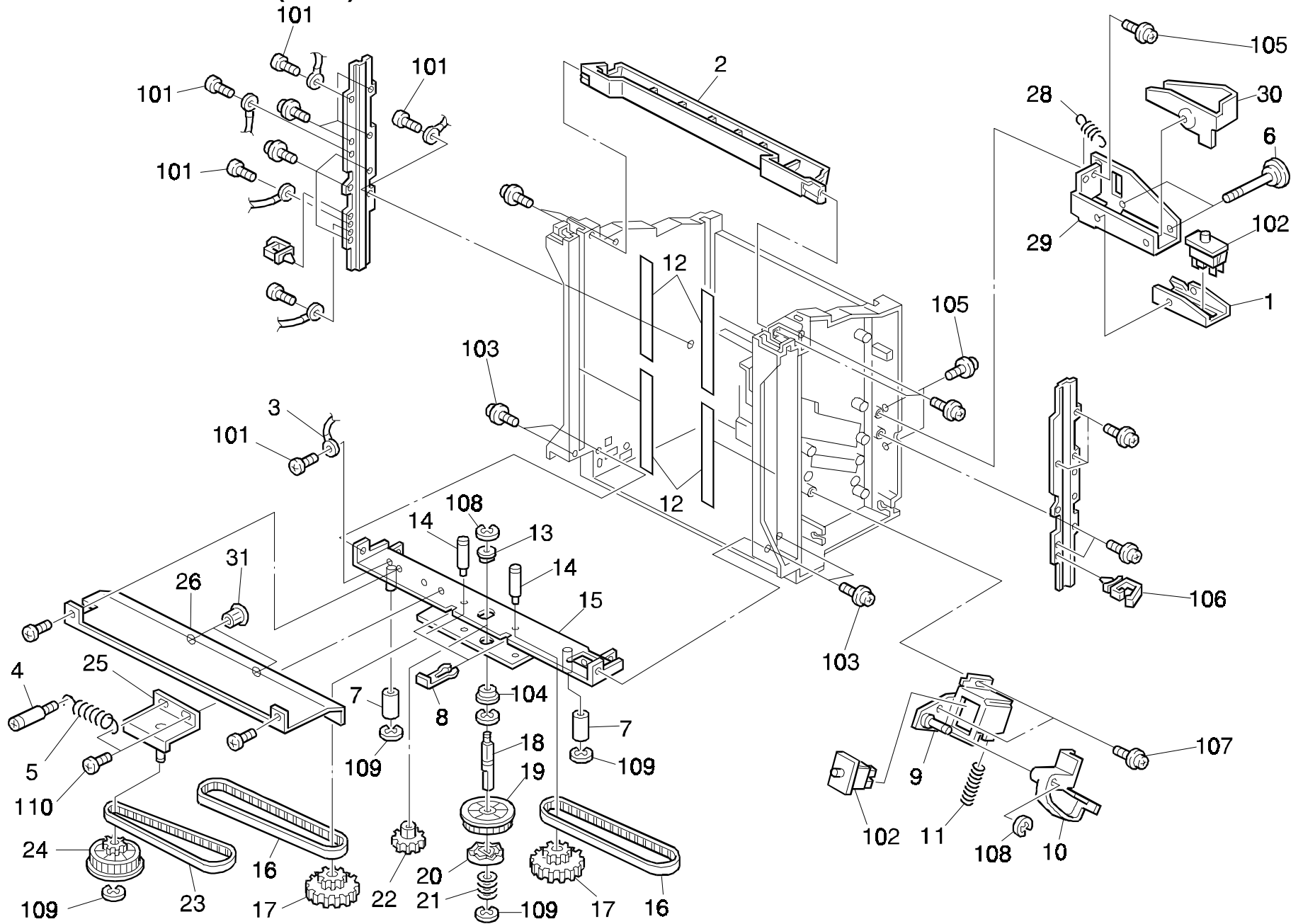


## 2.STAPLE UNIT (A555)

Index No.	Part No.	Description	Q'ty Per Assembly
1	AA04 3226	Timing Belt - 180S2M	1
2	A300 3759	Spring	1
3	A555 4721	Stapler Inner Cover	1
4	AJ01 1011	Stapler - EH-150R	1
4	AJ01 1008	O/O MB4	
5	A555 5370	Stapler Harness	1
6	A555 4432	Lower Chuck	1
7	A555 5410	Grounding Harness	6
8	A555 4476	Chuck Unit Fixer	1
9	A555 5390	Relay Harness	1
10	A555 4423	Chuck Arm Pad	2
11	A499 2444	Middle Belt Roller	4
12	A555 4571	Chuck Unit Support Bracket	1
13	AA06 3527	Pressure Spring	1
14	AA06 3528	Pressure Spring	3
15	5447 2681	Snap Ring	4
16	AX04 0056	Stepping Motor - DC9.5V 9.0W	1
17	AW02 0075	Photointerrupter	3
18	AW02 0049	Photointerruptor - OS - 580213-703	3
19	A555 4541	Chuck Movement Cam	1
20	A555 4411	Chuck Move Plate	1
21	A555 4416	Chuck Move Bracket	1
22	A555 4422	Upper Chuck PAWI	1
23	A555 4426	Arm Link	1
24	A555 4442	Middle Arm	1
25	A555 4451	Chuck Side Fence	1
26	A555 4456	Roller Holder	1
27	A555 4461	Chuck Movement Pad	1
28	A555 4521	Chuck Motor Bracket	1
29	A555 4532	Pressure Arm	1
30	A555 4561	Chuck Movement Shaft	1
31	A555 4511	Chuck Fixing Plate	1
32	A555 4741	Stapler Fix Bracket	1
33	A555 4751	Stapler Guide	1
34	AB01 3919	Gear - 60Z	1

Index No.	Part No.	Description	Q'ty Per Assembly
35	5413 3903	Pin - Transfer Guide Plate	1
101	0951 4008B	Philips Screw With Washer - M4x8	
102	0313 0050B	Philips Pan Head Screw - M3x5	
103	0720 0040E	Retaining Ring - M4	
104	0314 0060B	Philips Pan Head Screw - M4x6	
105	1105 0113	Edge - P108	
106	1105 0267	Wire Clamp	

### 3. TRAY DRIVE SECTION (A555)



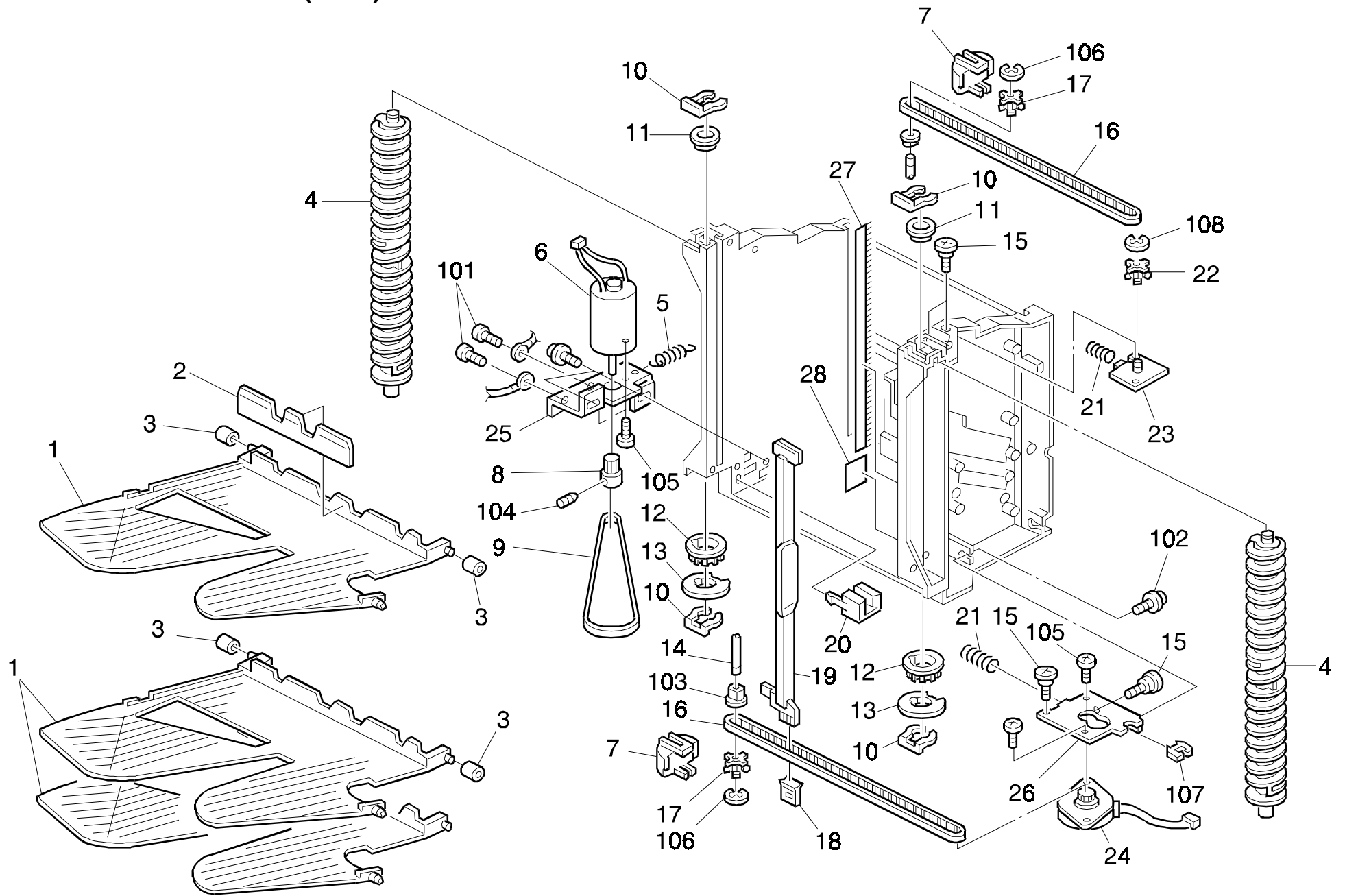
### 3. TRAY DRIVE SECTION (A555)

Index No.	Part No.	Description	Q'ty Per Assembly
1	A555 1661	Interlock Switch Bracket	1
2	A555 4155	Upper Jogger Stay	1
3	A555 5410	Grounding Harness	6
4	5403 1910	Spring Anchor - Stopper Lever	1
5	AA06 0616	Tension Spring	1
6	A555 1671	Stepped Screw - M3x26.5	2
7	6769 4166	Tension Pulley - Timing Belt	2
8	A555 3143	Stopper Shaft	2
9	A555 3183	Switch Bracket	1
10	A555 3187	Stapler Actuator Switch	1
10	A555 3182	X/O MB5	
11	AA06 3530	Pressure Spring	1
12	A555 1118	Guide Mylar	1
13	5053 0447	Bushing - 6mm	1
14	A555 3141	Gear Shaft	2
15	A555 3130	Bracket	1
16	AA04 3398	Timing Belt - B60S5M450	2
17	A555 3142	Gear - 44Z	2
18	A555 3151	Middle Shaft	1
19	A555 3152	Timing Pulley - 37Z	1
20	A555 3153	Torque Limiter Disc	1
21	AA06 3526	Spring - 2kgf	1
22	A555 3154	Gear - 22Z	1
23	AA04 3402	Timing Belt - 285P3B6	1
24	A555 3159	Timing Pulley	1
25	A555 3156	Idle Bracket	1
26	A555 1161	Timing Belt Cover	1
27	AA06 0618	Tension Spring	1
28	AA06 0618	Tension Spring	1
29	A555 1641	Interlock Switch Stay Bracket	1
30	A555 1651	Switch Lever	1
31	5937 2114	Bushing - Driving Side Plate	2
32	A555 3186	Mylar - 63x4.5 MB5 (ADDED)	1

Index No.	Part No.	Description	Q'ty Per Assembly
101	0314 0060B	Philips Pan Head Screw - M4x6	
102	1204 2384	Interlock Switch	
103	0314 0080b	Philips Pan Head Screw - M4x8	
104	0741 3808	Ball Bearing - 8x16x5mm	
105	0344 0080F	Philips Truss Head Screw - M4x8	
106	1105 0291	Wire Saddle	
107	0434 0122W	Pan Head Self-Tapping Screw - M4x12	
108	0720 0040E	Retaining Ring - M4	
109	0720 0060E	Retaining Ring - M6	
110	0951 4006B	Philips Screw With Washer - M4x6	



# 4.COPY TRAY SECTION (A555)

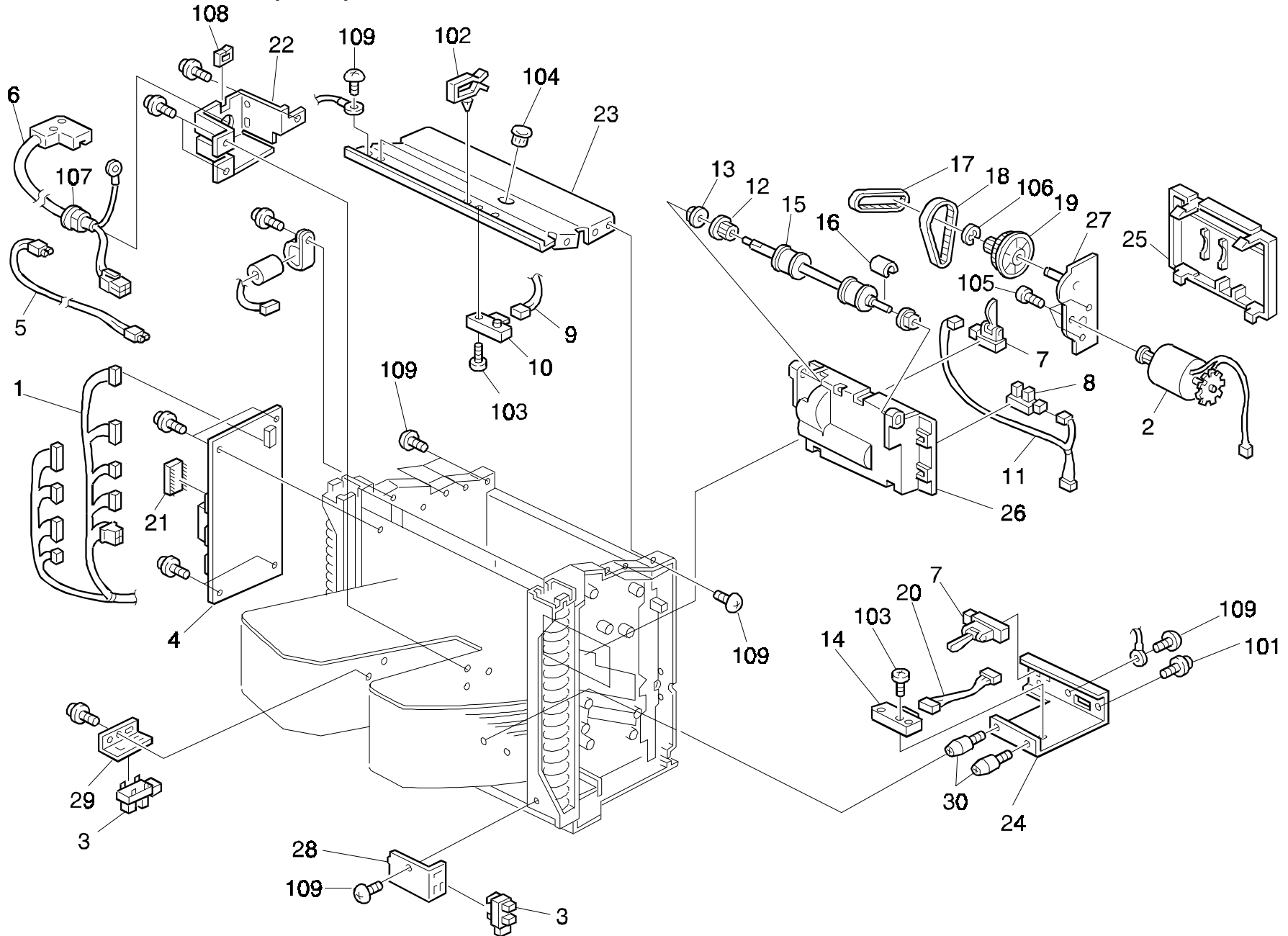


#### 4.COPY TRAY SECTION (A555)

Index No.	Part No.	Description	Q'ty Per Assembly
1	A555 3102	Bin	11
1	A555 3111	X/X MB 3	
2	A555 3221	Proof Tray End Fence	1
3	A377 3447	Bin Guide Roller	22
3	A555 3231	X/X MB 3	
4	A555 3121	Bin Drive Cam	2
5	AA06 0615	Tension Spring	1
6	AX06 0122	Bin Drive Motor	1
6	AX06 0110	Bin Drive Motor - DC24V 17W X/O MB1	1
7	A555 4125	Timing Belt Guide	2
8	A376 3532	Timing Pulley - 18Z	1
9	AA04 3401	Timing Belt - 400P2M6	1
10	A555 3122	Bin Stopper Cam	4
11	AA08 0196	Bushing - 16mm	2
12	A555 3124	Timing Pulley - 19Z	2
13	A555 3123	Home Sensor Cam Shade	2
14	A555 4122	Jogger Drive Shaft	1
15	5419 5714	Stepped Screw - M4	4
16	AA04 3403	Timing Belt - B40S3M858	2
17	AB03 0389	Timing Pulley - Jogger - Drive	2
18	A354 4475	Timing Belt Stopper - Side Fence	1
19	A555 4131	Jogger Shaft	1
20	A555 4161	Jogger Guide	1
21	AA06 3528	Pressure Spring	3
22	AB03 0388	Pulley - 16Z	1
23	A555 4141	Joggertension Bracket	1
24	AX04 0057	Stepping Motor - DC24V 3.72W	1
25	A555 3171	Drive Motor Bracket	1
26	A555 4112	Jogger Motor Bracket	1
27	A548 1154	Antistatic Brush	1
28	A555 1171	Grounding Plate	1

Index No.	Part No.	Description	Q'ty Per Assembly
101	0314 0060B	Philips Pan Head Screw - M4x6	
102	0951 4008B	Philips Screw With Washer - M4x8	
103	0805 3384	Bushing - 5mm	
104	0574 0050E	Hexagon Headless Set Screw - M4x5	
105	0313 0050B	Philips Pan Head Screw - M3x5	
106	0720 0030E	Retaining Ring - M3	
107	1105 0328	Harness Clamp - ES-0505	
108	0720 0040E	Retaining Ring - M4	

# 5.ELECTRICAL SECTION (A555)

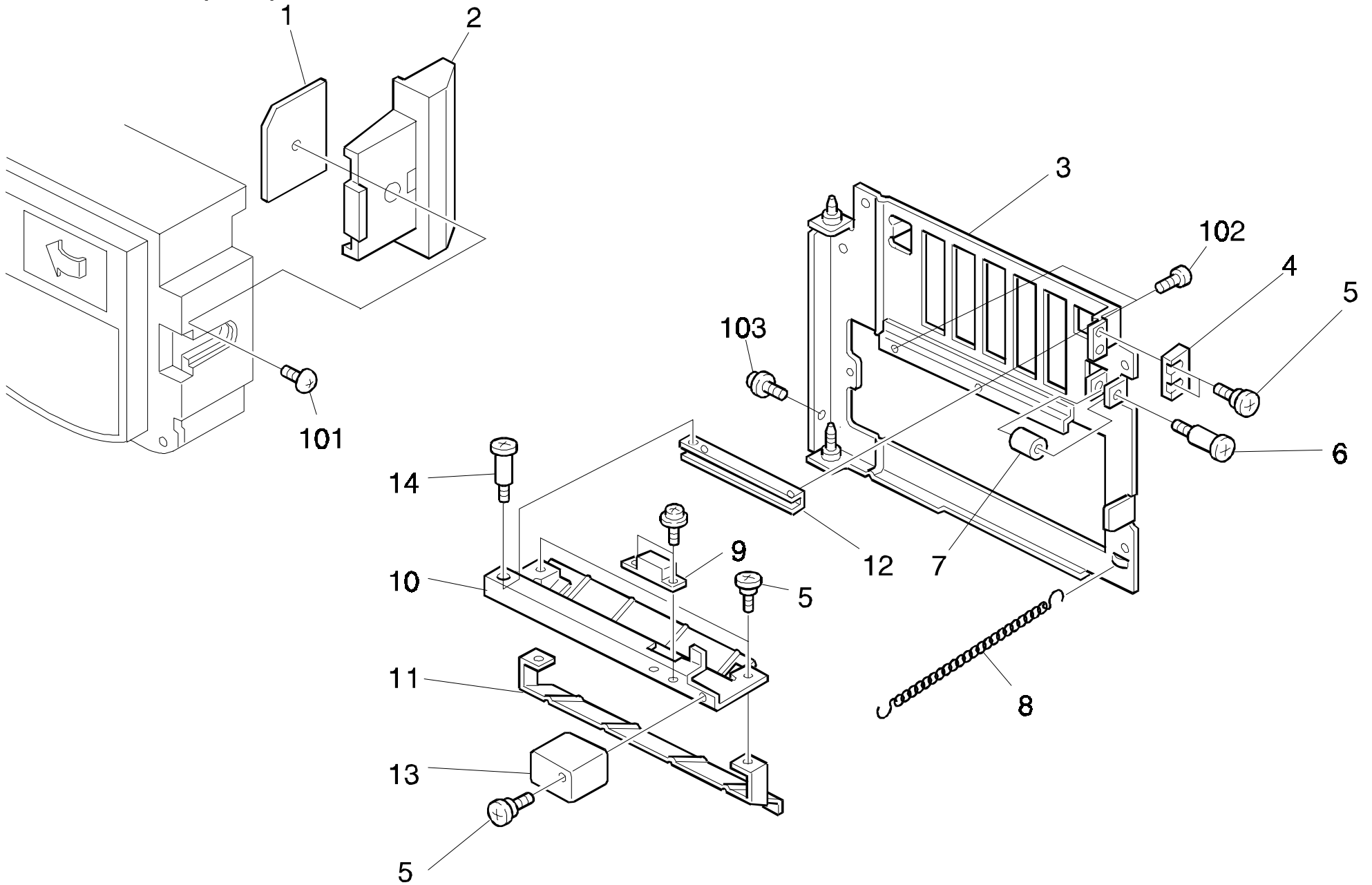


## 5.ELECTRICAL SECTION (A555)

Index No.	Part No.	Description	Q'ty Per Assembly
1	A555 5380	Main Harness	1
2	AX04 0081	Drive Motor - DC24V 2.2W	1
3	AW02 0075	Photointerrupter	3
4	A555 5105	Main Control Board	1
4	A555 5100	X/O MB1	1
5	AW03 0066	Optical Fiber - 500mm	1
6	A554 5270	Interface Harness	1
7	AW02 0049	Photointerruptor - OS - 580213-703	3
8	AW02 0022	Photointerruptor	1
9	A555 5360	Bin Sensor Harness	1
10	AW02 0082	Upper Bin/Jam Sensor	1
11	A555 5330	Connecting Harness	1
12	AB03 0496	Timing Pulley - 18z	1
13	AA08 0141	Bushing - 5x12x4mm	2
14	AW02 0025	Lower Bin/Jam Sensor	1
15	A555 2211	Paper Feed Roller	1
16	A374 2181	Spacer	1
17	AA04 3399	Timingbelt - 112P2M4	1
18	AA04 3400	Timing Belt - 142P2M4	1
19	A555 2156	Timing Pulley - 60Z/18Z	1
20	A555 5340	Bin Sensor Relay Harness	1
21	A555 5103	Ic - 256k-X8-150NS	1
22	A555 1121	Harness Brcket	1
23	A555 1181	Upper Right Stay	1
24	A555 1191	Lower Bin Sensor Bracket	1
25	A555 2131	Right Paper Feed Case	1
26	A555 2141	Left Paper Feed Case	1
27	A555 2151	Drive Motor Bracket	1
28	A555 3161	Home Sensor Cam Bracket	1
29	A555 4172	Home Sensor Bracket	1
30	5413 3903	Pin - Transfer Guide Plate	2

Index No.	Part No.	Description	Q'ty Per Assembly
101	0965 4012B	Tapping Screw With Washer M4x12	
102	1105 0267	Wire Clamp	
103	0313 0140B	Philips Pan Head Screw - M3x14	
104	1106 0193	Bushing - 7.9mm	
105	0313 0050B	Philips Pan Head Screw - M3x5	
106	0720 0040E	Retaining Ring - M4	
107	1106 0250	Cord Stopper - 115V	
108	1105 0328	Harness Clamp - ES-0505	
109	0314 0060b	Philips Pan Head Screw - M4x6	

# 6.JYJOINT UNIT (A555)

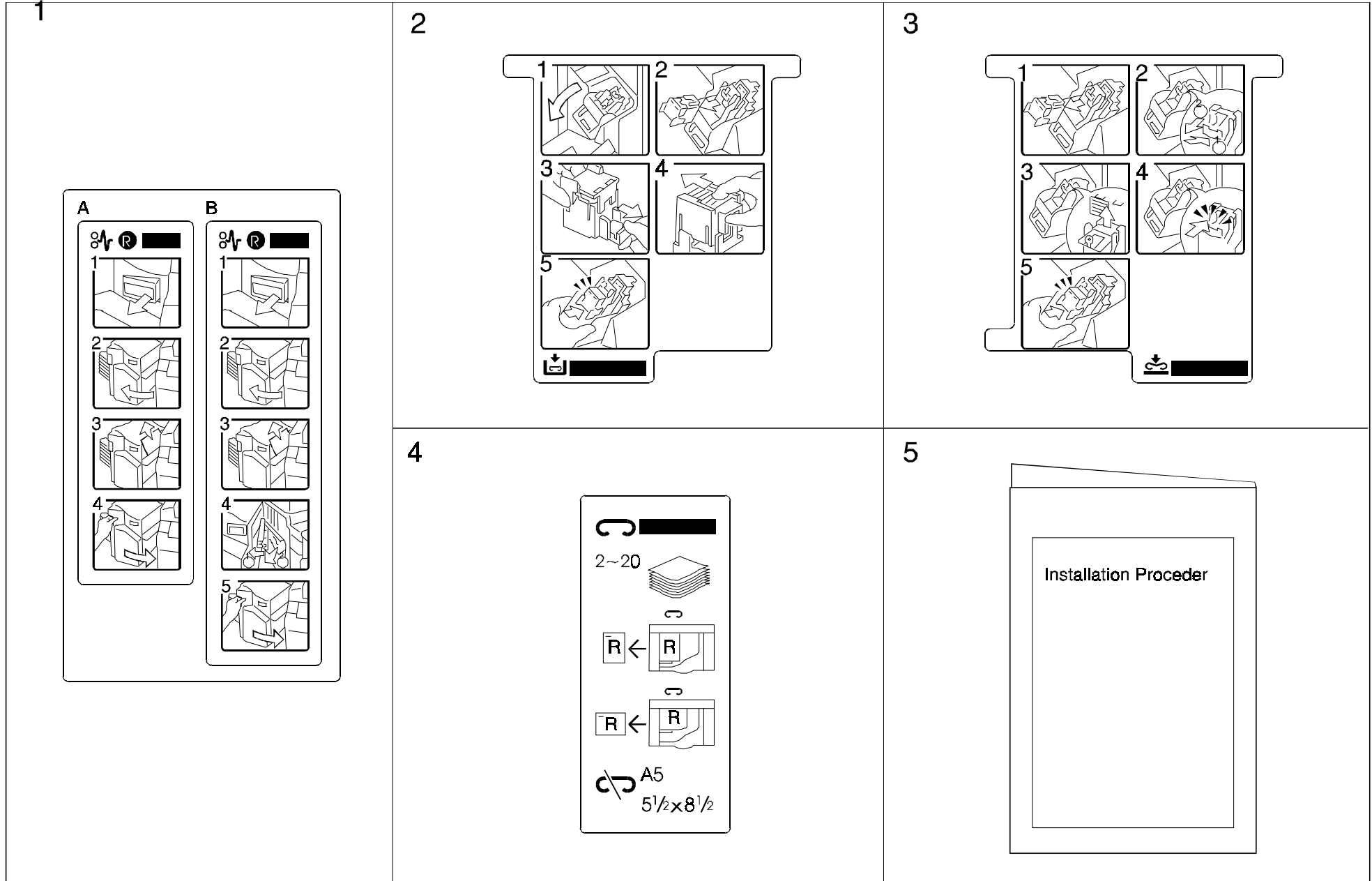


## 6.JYJOINT UNIT (A555)

Index No.	Part No.	Description	Q'ty Per Assembly
1	A555 4156	Plate Nut - M4	2
2	A555 1566	Release Handle Pawl	1
3	A555 1211	Joint Bracket	1
4	A555 1231	Gate Pawl Bracket	1
5	5875 2088	Shoulder Screw - M4	5
6	5887 4195	Stopper Screw	1
7	A555 1221	Roller Bracket	1
8	A555 6111	Door Chain	1
9	AG07 0004	Magnetic Catch	1
10	A555 2171	Upper Right Guide	1
11	A555 2176	Lower Right Guide	1
12	A555 2177	Guide Plate Bracket	1
13	A555 2178	Guide Plate Knob	1
14	A377 4726	Stepped Screw - M4x8x14	1

Index No.	Part No.	Description	Q'ty Per Assembly
101	0344 0060F	Philips Truss Head Screw - M4x6	
102	0313 0060B	Philips Pan Head Screw - M3x6	
103	0314 0080B	Philips Pan Head Screw - M4x8	

# 7.DECAL AND DOCUMENT (A555)



## 7.DECAL AND DOCUMENT (A555)

Index No.	Part No.	Description	Q'ty Per Assembly
1	A555 1820	Decal - Misfeed Removal	1
2	A555 1830	Decal - Staple Replace	1
3	A555 1840	Decal - Stapler Misfeed Removal	1
4	A555 1850	Decal - Staple Position	1
5	A555 8610	Installation Procedure	1

Index No.	Part No.	Description	Q'ty Per Assembly



# Parts Index

## Parts Index

Part No.	Description	Page and Index No.
A555 1118	Guide Mylar	7- 12
A555 1121	Harness Brcaket	11- 22
A555 1131	Connecting Bracket - Lower Raer	3- 7
A555 1132	Connecting - Upper Rear	3- 6
A555 1151	Lower Harness Cover	3- 9
A555 1152	Upper Harness Cover	3- 8
A555 1161	Timing Belt Cover	7- 26
A555 1171	Grounding Plate	9- 28
A555 1181	Upper Right Stay	11- 23
A555 1191	Lower Bin Sensor Bracket	11- 24
A555 1211	Joint Bracket	13- 3
A555 1221	Roller Brcaket	13- 7
A555 1231	Gate Pawl Bracket	13- 4
A555 1511	Front Cover	3- 11
A555 1531	Stapler Cover	3- 10
A555 1541	Top Cover	3- 4
A555 1561	Release Handle	3- 15
A555 1566	Release Handle Pawl	13- 2
A555 1569	Release Handle Bracket	3- 16
A555 1571	Lower Cover	3- 2
A555 1581	Rear Cover	3- 1
A555 1590	Plate Nut - M4	3- 3
A555 1641	Interlock Switch Stay Bracket	7- 29
A555 1651	Switch Lever	7- 30
A555 1661	Interlock Switch Bracket	7- 1
A555 1671	Stepped Screw - M3x26.5	7- 6
A555 1820	Decal - Misfeed Removal	15- 1
A555 1820	Decal - Misfeed Removal	3- 26
A555 1830	Decal - Staple Replace	3- 24
A555 1830	Decal - Staple Replace	15- 2
A555 1840	Decal - Stapler Misfeed Removal	15- 3
A555 1840	Decal - Stapler Misfeed Removal	3- 25
A555 1850	Decal - Staple Position	3- 27
A555 1850	Decal - Staple Position	15- 4
A555 2110	Lower Entrance Guide	3- 19

Part No.	Description	Page and Index No.
A555 2121	Paper Exit Guide	3- 23
A555 2131	Right Paper Feed Case	11- 25
A555 2141	Left Paper Feed Case	11- 26
A555 2151	Drive Motor Bracket	11- 27
A555 2156	Timing Pulley - 60Z/18Z	11- 19
A555 2161	Anti Static Brush	3- 22
A555 2171	Upper Right Guide	13- 10
A555 2176	Lower Right Guide	13- 11
A555 2177	Guide Plate Bracket	13- 12
A555 2178	Guide Plate Knob	13- 13
A555 2211	Paper Feed Roller	11- 15
A555 3102	Bin	9- 1
A555 3111	X/X MB 3	9- 1
A555 3121	Bin Drive Cam	9- 4
A555 3122	Bin Stopper Cam	9- 10
A555 3123	Home Sensor Cam Shade	9- 13
A555 3124	Timing Pulley - 19Z	9- 12
A555 3130	Bracket	7- 15
A555 3141	Gear Shaft	7- 14
A555 3142	Gear - 44Z	7- 17
A555 3143	Stopper Shaft	7- 8
A555 3151	Middle Shaft	7- 18
A555 3152	Timing Pulley - 37Z	7- 19
A555 3153	Torque Limitter Disc	7- 20
A555 3154	Gear - 22Z	7- 22
A555 3156	Idle Bracket	7- 25
A555 3159	Timing Pulley	7- 24
A555 3161	Home Sensor Cam Bracket	11- 28
A555 3171	Drive Motor Bracket	9- 25
A555 3182	X/O MB5	7- 10
A555 3183	Switch Bracket	7- 9
A555 3186	Mylar - 63x4.5 MB5 (ADDED)	7- 32
A555 3187	Stapler Actuator Switch	7- 10
A555 3221	Proof Tray End Fence	9- 2
A555 3231	X/X MB 3	9- 3

Part No.	Description	Page and Index No.
A555 4112	Jogger Motor Bracket	9- 26
A555 4122	Jogger Drive Shaft	9- 14
A555 4125	Timing Belt Guide	9- 7
A555 4131	Jogger Shaft	9- 19
A555 4141	Joggertension Bracket	9- 23
A555 4155	Upper Jogger Stay	7- 2
A555 4156	Plate Nut - M4	13- 1
A555 4156	Plate Nut - M4	3- 5
A555 4161	Jogger Guide	9- 20
A555 4172	Home Sensor Bracket	11- 29
A555 4411	Chuck Move Plate	5- 20
A555 4416	Chuck Move Bracket	5- 21
A555 4422	Upper Chuck PAWI	5- 22
A555 4423	Chuck Arm Pad	5- 10
A555 4426	Arm Link	5- 23
A555 4432	Lower Chuck	5- 6
A555 4442	Middle Arm	5- 24
A555 4451	Chuck Side Fence	5- 25
A555 4456	Roller Holder	5- 26
A555 4461	Chuck Movement Pad	5- 27
A555 4476	Chuck Unit Fixer	5- 8
A555 4511	Chuck Fixing Plate	5- 31
A555 4521	Chuck Motor Bracket	5- 28
A555 4532	Pressure Arm	5- 29
A555 4541	Chuck Movement Cam	5- 19
A555 4561	Chuck Movement Shaft	5- 30
A555 4571	Chuck Unit Support Bracket	5- 12
A555 4721	Stapler Inner Cover	5- 3
A555 4741	Stapler Fix Bracket	5- 32
A555 4751	Stapler Guide	5- 33
A555 5100	X/O MB1	11- 4
A555 5103	Ic - 256k-X8-150NS	11- 21
A555 5105	Main Control Board	11- 4
A555 5330	Connecting Harness	11- 11
A555 5340	Bin Sensor Relay Harness	11- 20

Part No.	Description	Page and Index No.
A555 5360	Bin Sensor Harness	11- 9
A555 5370	Stapler Harness	5- 5
A555 5380	Main Harness	11- 1
A555 5390	Relay Harness	5- 9
A555 5410	Grounding Harness	5- 7
A555 5410	Grounding Harness	7- 3
A555 6111	Door Chain	13- 8
A555 8610	Installation Procedure	15- 5

Part No.	Description	Page and Index No.
AA04 3226	Timing Belt - 180S2M	5- 1
AA04 3398	Timing Belt - B60S5M450	7- 16
AA04 3399	Timingbelt - 112P2M4	11- 17
AA04 3400	Timing Belt - 142P2M4	11- 18
AA04 3401	Timing Belt - 400P2M6	9- 9
AA04 3402	Timing Belt - 285P3B6	7- 23
AA04 3403	Timing Belt - B40S3M858	9- 16
AA06 0601	Release Spring	3- 14
AA06 0615	Tension Spring	9- 5
AA06 0616	Tension Spring	7- 5
AA06 0618	Tension Spring	7- 28
AA06 0618	Tension Spring	7- 27
AA06 3525	Spring - 150gf	3- 13
AA06 3526	Spring - 2kgf	7- 21
AA06 3527	Pressure Spring	5- 13
AA06 3528	Pressure Spring	5- 14
AA06 3528	Pressure Spring	9- 21
AA06 3530	Pressure Spring	7- 11
AA08 0034	Bushing - 4x5x7	3- 21
AA08 0141	Bushing - 5x12x4mm	11- 13
AA08 0196	Bushing - 16mm	9- 11
AA14 3020	Stepped Screw - M4	3- 28
AB01 3919	Gear - 60Z	5- 34
AB03 0388	Pulley - 16Z	9- 22
AB03 0389	Timing Pulley - Jogger - Drive	9- 17
AB03 0496	Timing Pulley - 18z	11- 12
AF02 2080	Driven Roller	3- 18
AG07 0004	Magnetic Catch	13- 9
AJ01 1008	O/O MB4	5- 4
AJ01 1011	Stapler - EH-150R	5- 4
AW02 0022	Photointerruptor	11- 8
AW02 0025	Lower Bin/Jam Sensor	11- 14
AW02 0049	Photointerruptor - OS - 580213-703	11- 7
AW02 0049	Photointerruptor - OS - 580213-703	5- 18
AW02 0075	Photointerrupter	11- 3

Part No.	Description	Page and Index No.
AW02 0075	Photointerrupter	5- 17
AW02 0082	Upper Bin/Jam Sensor	11- 10
AW03 0066	Optical Fiber - 500mm	11- 5
AX04 0056	Stepping Motor - DC9.5V 9.0W	5- 16
AX04 0057	Stepping Motor - DC24V 3.72W	9- 24
AX04 0081	Drive Motor - DC24V 2.2W	11- 2
AX06 0110	Bin Drive Motor - DC24V 17W X/O MB1	9- 6
AX06 0122	Bin Drive Motor	9- 6

Part No.	Description	Page and Index No.
A300 3759	Spring	5- 2
A354 4475	Timing Belt Stopper - Side Fence	9- 18
A374 2181	Spacer	11- 16
A376 3532	Timing Pulley - 18Z	9- 8
A377 3447	Bin Guide Roller	9- 3
A377 4726	Stepped Screw - M4x8x14	13- 14
A393 4517	Cushion - Sorter	3- 17
A499 1378	Stepped Screw - M4x6	3- 20
A499 2444	Middle Belt Roller	5- 11
A548 1154	Antistatic Brush	9- 27
A554 5270	Interface Harness	11- 6

Part No.	Description	Page and Index No.
5053 0447	Bushing - 6mm	7- 13
5403 1910	Spring Anchor - Stopper Lever	7- 4
5413 3903	Pin - Transfer Guide Plate	11- 30
5413 3903	Pin - Transfer Guide Plate	5- 35
5419 5714	Stepped Screw - M4	9- 15
5447 2681	Snap Ring	3- 12
5447 2681	Snap Ring	5- 15
5875 2088	Shoulder Screw - M4	13- 5
5887 4195	Stopper Screw	13- 6
5937 2114	Bushing - Driving Side Plate	7- 31
6769 4166	Tension Pulley - Timing Belt	7- 7

Part No.	Description	Page and Index No.
0313 0050B	Philips Pan Head Screw - M3x5	11-105
0313 0050B	Philips Pan Head Screw - M3x5	5-102
0313 0050B	Philips Pan Head Screw - M3x5	9-105
0313 0060B	Philips Pan Head Screw - M3x6	13-102
0313 0140B	Philips Pan Head Screw - M3x14	11-103
0314 0060B	Philips Pan Head Screw - M4x6	7-101
0314 0060B	Philips Pan Head Screw - M4x6	5-104
0314 0060B	Philips Pan Head Screw - M4x6	9-101
0314 0060b	Philips Pan Head Screw - M4x6	11-109
0314 0080B	Philips Pan Head Screw - M4x8	13-103
0314 0080b	Philips Pan Head Screw - M4x8	7-103
0344 0060F	Philips Truss Head Screw - M4x6	3-102
0344 0060F	Philips Truss Head Screw - M4x6	13-101
0344 0080F	Philips Truss Head Screw - M4x8	7-105
0344 0080F	Philips Truss Head Screw - M4x8	3-101
0434 0122W	Pan Head Self-Tapping Screw - M4x12	7-107
0574 0050E	Hexagon Headless Set Screw - M4x5	9-104
0633 0320G	Pin - 3x32 MB2 (ADDED)	3-103
0720 0030E	Retaining Ring - M3	9-106
0720 0040E	Retaining Ring - M4	9-108
0720 0040E	Retaining Ring - M4	7-108
0720 0040E	Retaining Ring - M4	5-103
0720 0040E	Retaining Ring - M4	11-106
0720 0060E	Retaining Ring - M6	7-109
0741 3808	Ball Bearing - 8x16x5mm	7-104
0805 3384	Bushing - 5mm	9-103
0951 4006B	Philips Screw With Washer - M4x6	7-110
0951 4008B	Philips Screw With Washer - M4x8	5-101
0951 4008B	Philips Screw With Washer - M4x8	9-102
0965 4012B	Tapping Screw With Washer M4x12	11-101
1105 0113	Edge - P108	5-105
1105 0267	Wire Clamp	5-106
1105 0267	Wire Clamp	11-102
1105 0291	Wire Saddle	7-106

Part No.	Description	Page and Index No.
1105 0328	Harness Clamp - ES-0505	11-108
1105 0328	Harness Clamp - ES-0505	9-107
1106 0193	Bushing - 7.9mm	11-104
1106 0250	Cord Stopper - 115V	11-107
1204 2384	Interlock Switch	7-102